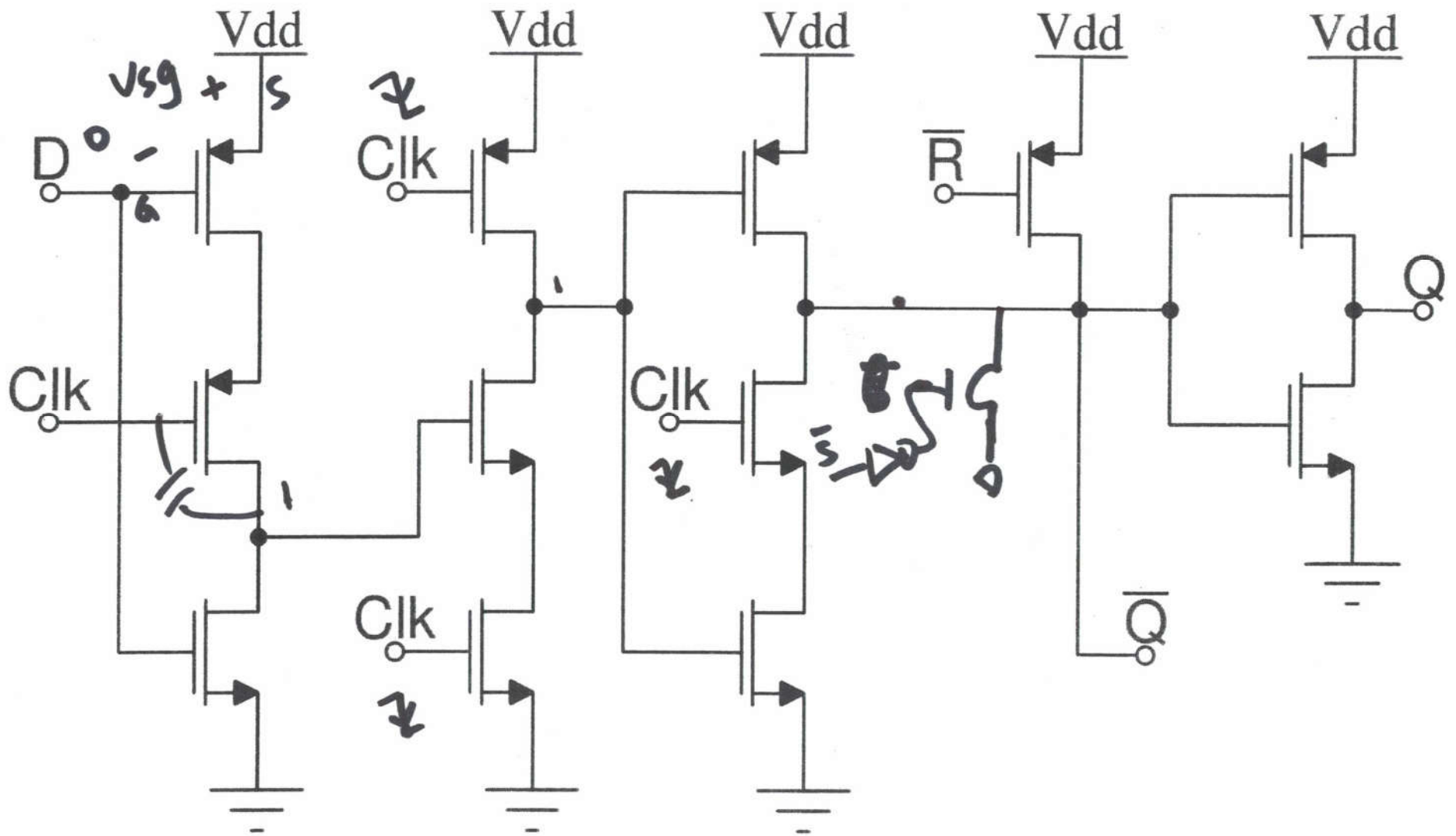
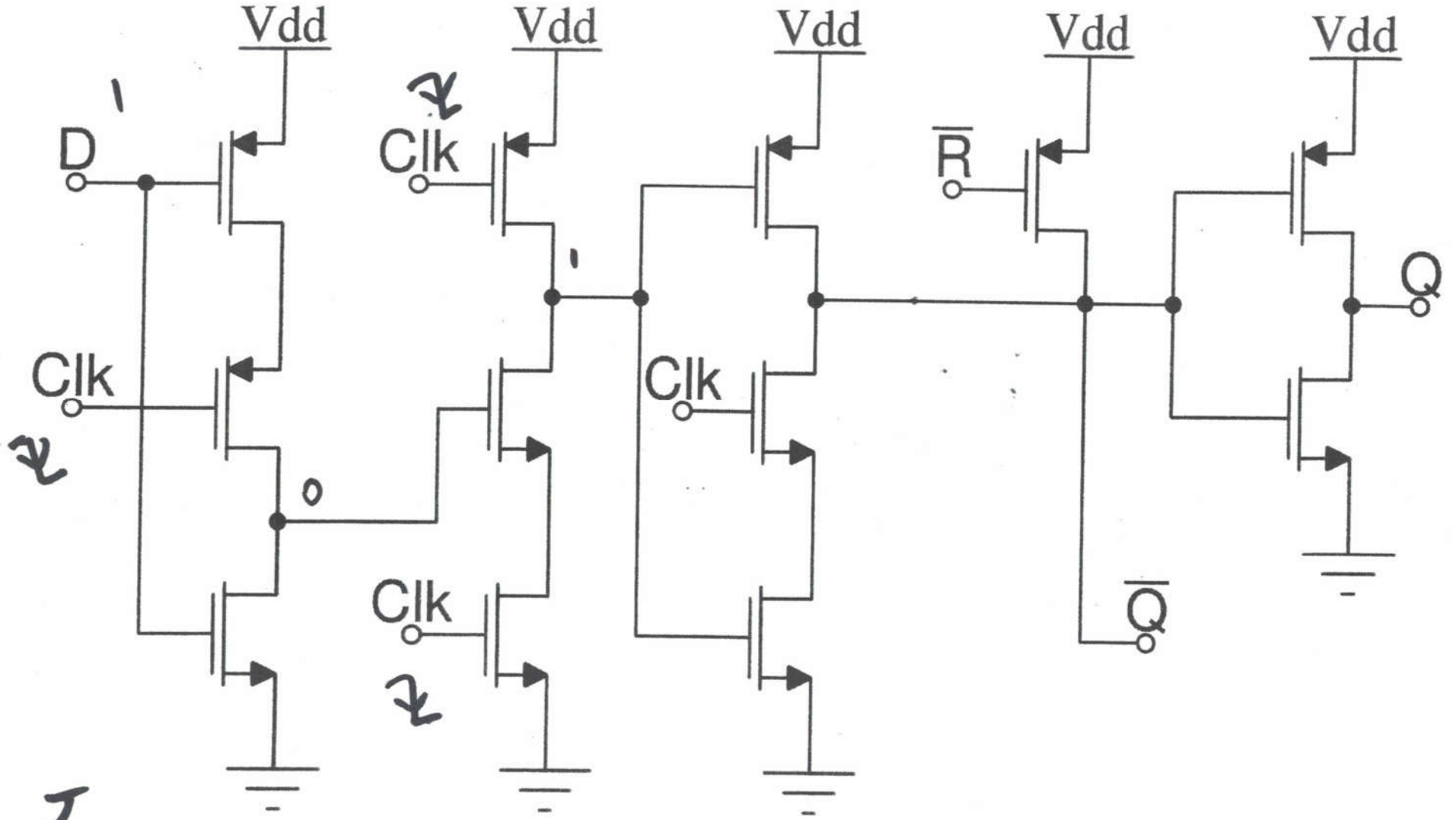


\bar{Z} D
clk 0 memory



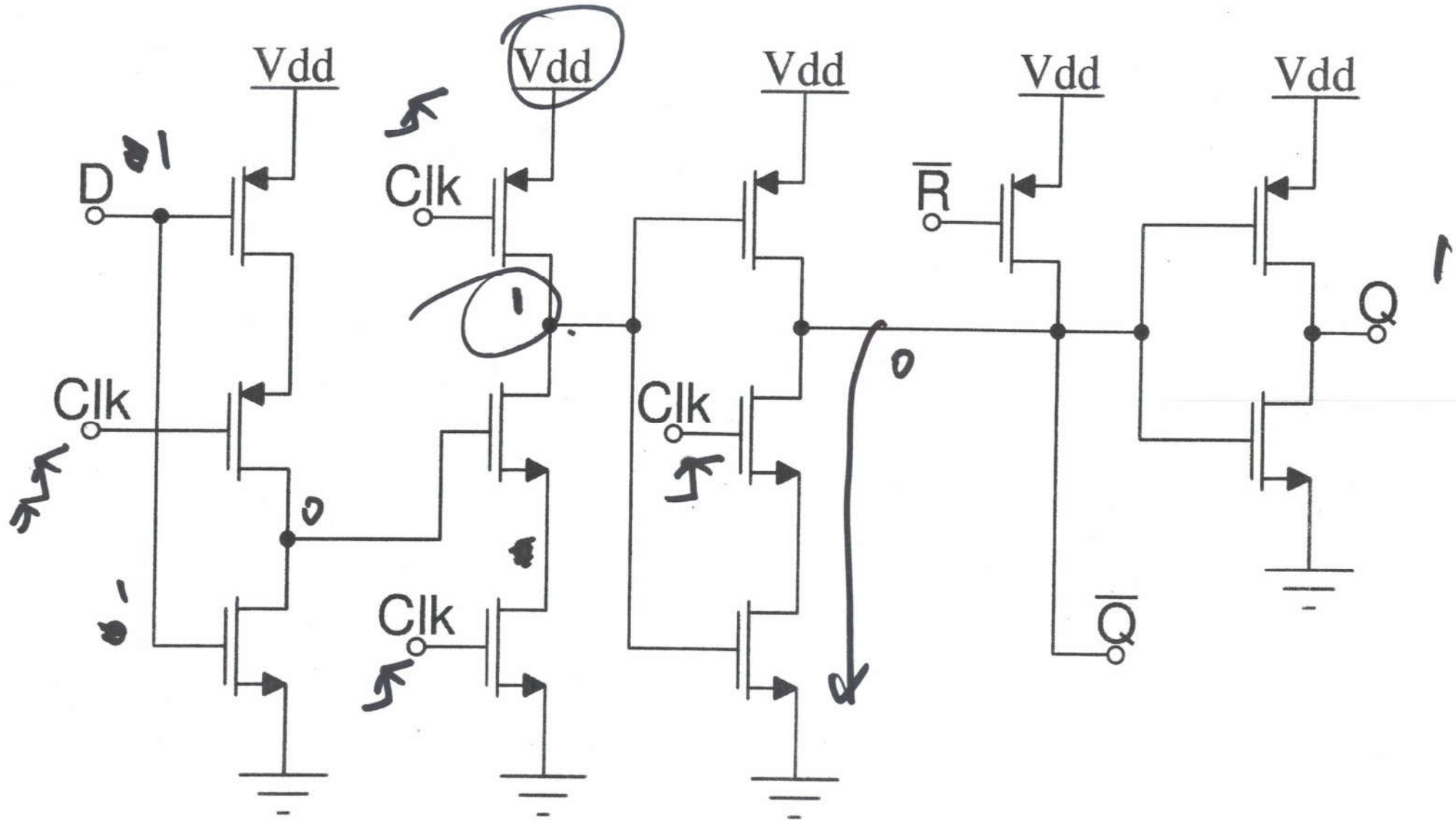
clk
D
memory



2) 0.01μ
1.2μ

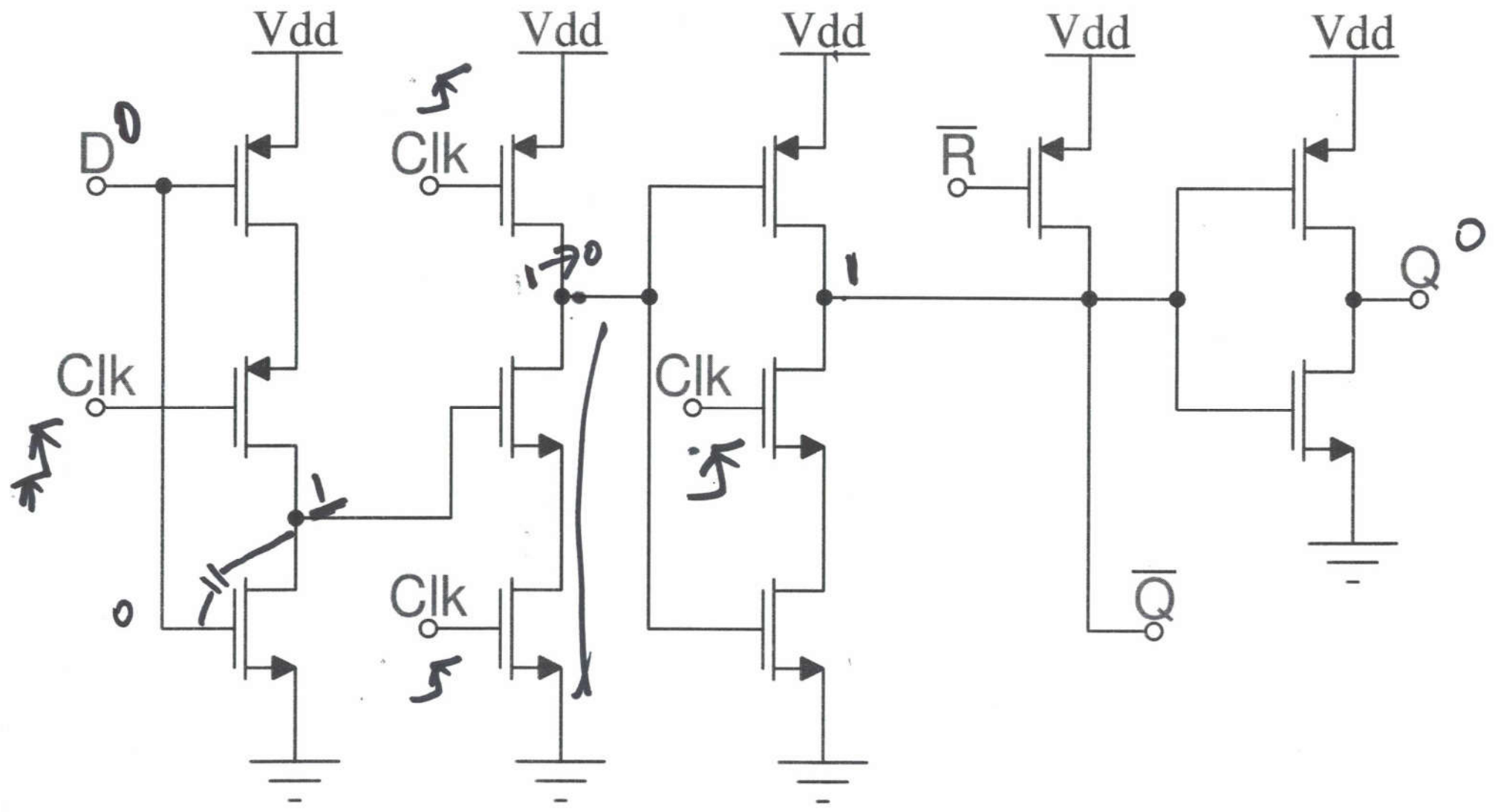
CLK D
↓ 01

From VDD
↓



3

clk D
↑ 0



CF